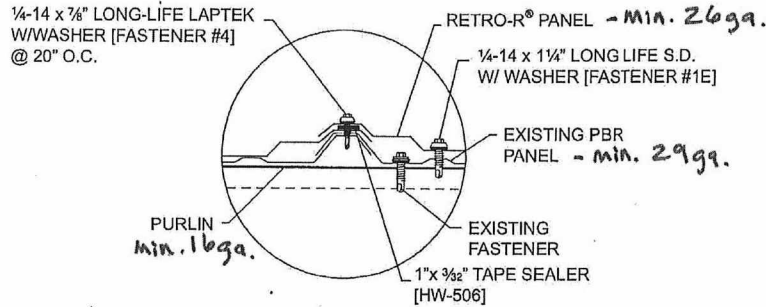
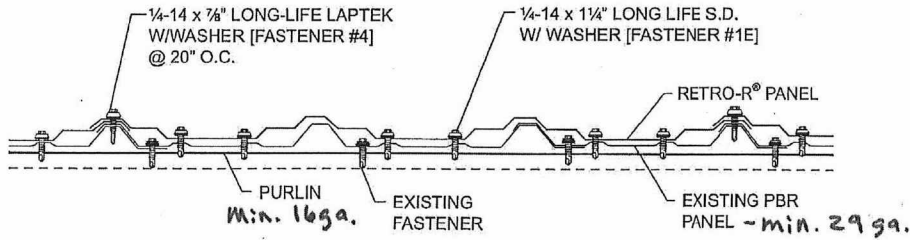


PRODUCT INFORMATION

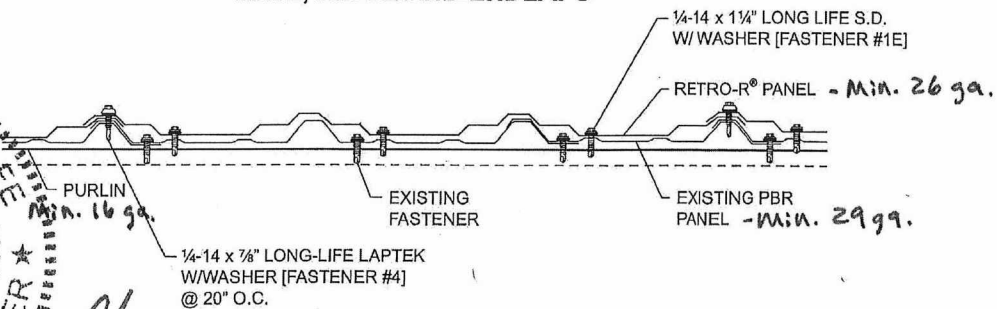
Retro-R® PANEL FASTENER LOCATIONS



PANEL ATTACHMENT AT SIDE LAP



**PANEL ATTACHMENT AT
EAVE, RIDGE AND ENDLAPS**



**PANEL ATTACHMENT AT
INTERMEDIATE CONNECTIONS**

State of Florida
C.O.A.
26778

TERRENCE E. WOLFE
 LICENSED PROFESSIONAL ENGINEER
 No. 44923
 STATE OF FLORIDA
 AUG 22 2016

NOTES:

1. The Retro-R® Panel has an unsymmetrical side lap. Panel side lap with widest dimension laps on top of side lap with narrow dimension. However, where possible, the panels should be lapped against prevailing wind.
2. The above are typical fastener spacings. However, they may not be appropriate for all applications. Consult a professional engineer for use on any specific application.
3. Minimum 1" x 3/32" tape sealer required at panel side laps.
4. Side lap fasteners are required. Typical spacing is 20" O.C. However, this spacing may not be appropriate for all applications. Consult a professional engineer for use on any specific application.